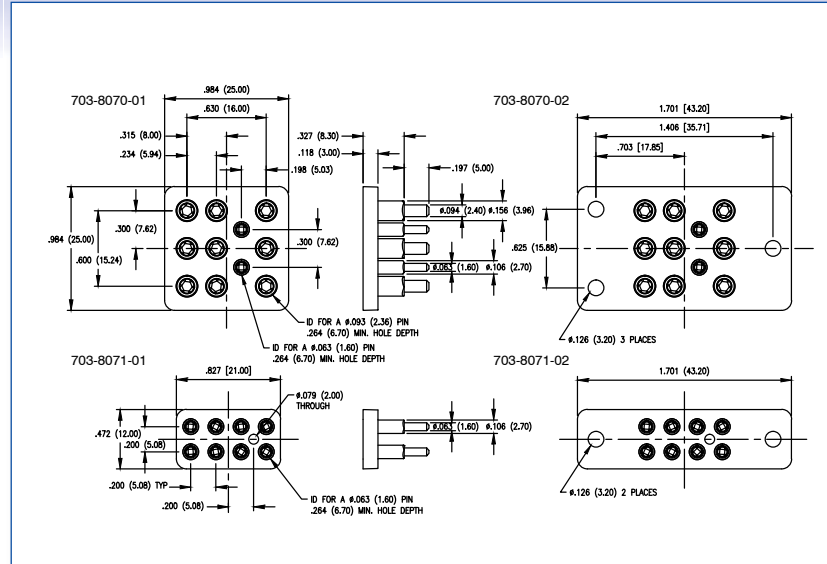
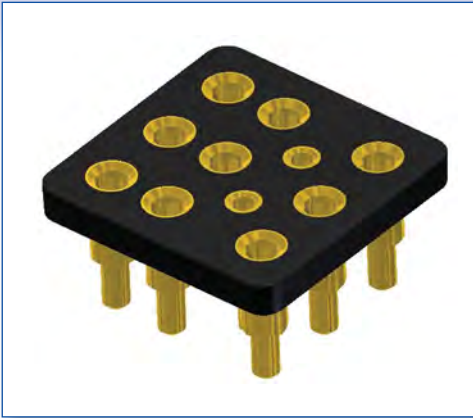


Dimensions in inches (mm)



**How to order code**

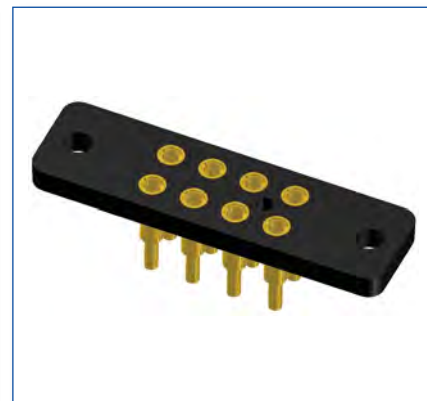
**703 - 807X - XX - 03 - 10**

Basic Part No. | Colour  
Mounting Ear Option | Finish

Material Code Table		
Component	Material	RoHS
Carrier	High Temp Plastic	✓
Socket Bodies	Brass	✓
Socket Clips	Beryllium Copper (Heat Treated)	✓

Finish Code Table			
Dash No.	Socket Body Finish	Socket Clip Finish	RoHS
-03	Gold over Nickel	Gold over Nickel	✓

Colour Code Table	
Dash No.	Colour
-10	Black



Other styles and configurations available, please consult factory.