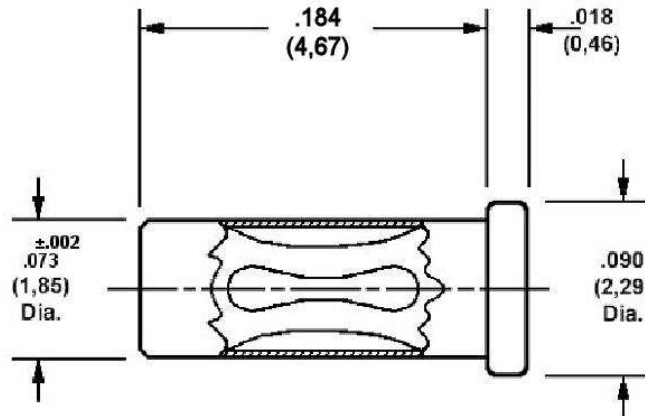


450-3704 Solder Mount Socket, for .040 (1,02) Diameter Pins

Recommended mounting hole .076 (1,93) + .002 (0,05) - .001 (0,03), #48 drill



Min hole depth .190 (4,83)

How to order code
450-3704-01-XX-00
Basic Part No XX = Finish

MATERIALS

Component	Material	Finish (-03)	Finish (-04)	Finish (-06)	Finish (-93)
Body	Copper	Gold 0.25um over Nickel	Electro Tin	Electro Tin	Gold 0.1um over Nickel
Spring	Beryllium copper	Gold 0.75um over Nickel	Electro Tin	Gold 0.75um over Nickel	Gold 0.25um over Nickel