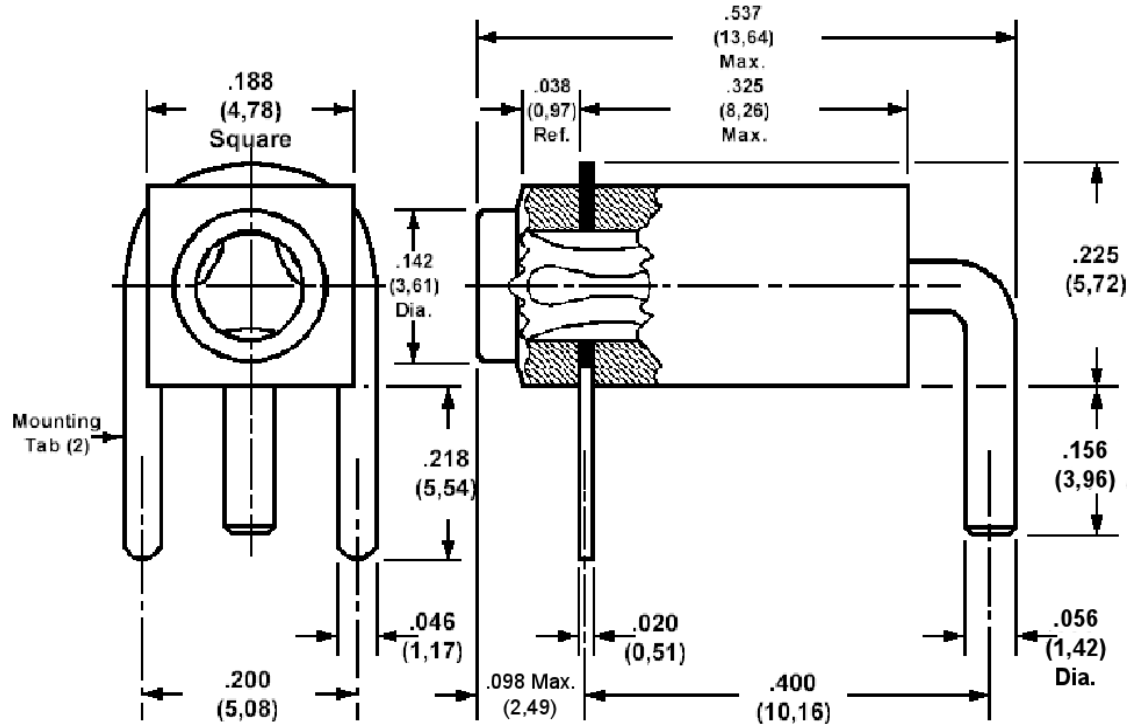


450-3888 Solder Mount Socket, Horizontal, for .080 (2,03) Diameter Pins

(Also available, snap on, colour coded nylon insulator available - see bottom of page)



Min hole depth .325 (8,26)

How to order code

450-3888-01-XX-00

Basic Part No XX = Finish

MATERIALS				
Component	Material	Finish (-03)	Finish (-04)	Finish (-06)
Body	Brass	Gold over Nickel	Electro Tin	Electro Tin
Spring	Beryllium copper	Gold over Nickel	Electro Tin	Gold over Nickel
Front Legs	Brass	Gold over Nickel	Electro Tin	Electro Tin

Snap on, colour coded nylon insulator

How to order code

506-4488-01-00-XX

Basic Part No XX = colour

SNAP ON COVERS - COLOURS									
-10	-11	-12	-13	-14	-15	-16	-17	-18	-19
Black	Brown	Red	Orange	Yellow	Green	Blue	Violet	Grey	White

Preferred colours in bold