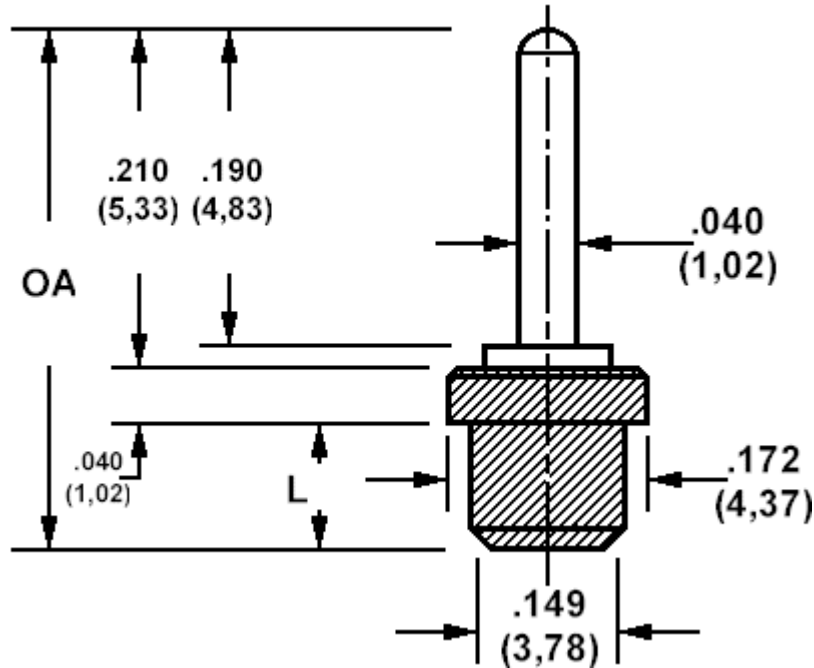


## 571-4029 Insulated solder terminal, Pin type

Recommended mounting hole .136 (3,45)



### How to order code

**571-4029-XX-YY-19**

Basic Part No (XX = Panel thickness, YY = plating finish. See tables for options)

| Basic Part No. |     | OA(ref)      | L           | Panel Thickness (XX)       |
|----------------|-----|--------------|-------------|----------------------------|
| 571-4029       | -01 | .350 (8,89)  | .100 (2,54) | .031 (0,79) to .062 (1,59) |
|                | -02 | .375 (9,53)  | .125 (3,18) | .031 (0,79) to .085 (2,16) |
|                | -03 | .415 (10,54) | .165 (4,19) | .031 (0,79) to .125 (3,18) |
|                | -04 | .500 (12,70) | .250 (6,35) | .031 (0,79) to .210 (5,33) |

| Component | Material       | Finish (YY) |             |                |
|-----------|----------------|-------------|-------------|----------------|
|           |                | -01         | -04         | -05            |
| Terminal  | Brass          | Silver      | Electro Tin | Electro Solder |
| Insulator | Teflon - white |             |             |                |

| Additional Specifications   | Panel thickness |      |      |      |
|-----------------------------|-----------------|------|------|------|
|                             | -01             | -02  | -03  | -04  |
| Flashover VRMS at Sea Level | 3000            | 3000 | 3000 | 3000 |
| Capacitance (pF)            | .05             | .05  | .05  | .05  |

Teflon is a registered trademark of Dupont