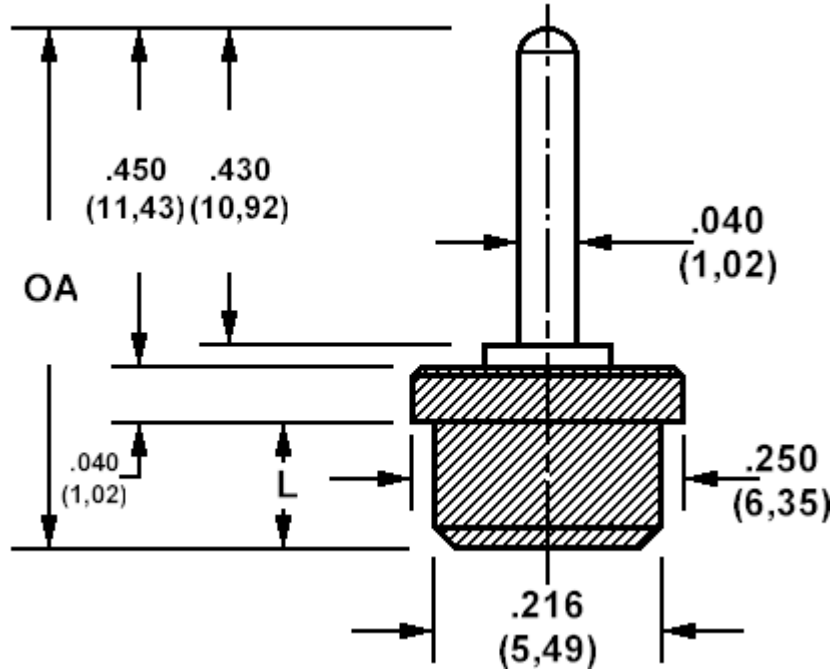


## 571-4134 Insulated solder terminal, Pin type

Recommended mounting hole .203 (5,16)



### How to order code 571-4134-XX-YY-19

Basic Part No (XX = Panel thickness, YY = plating finish. See tables for options)

| Basic Part No. |     | OA (ref)     | L           | Panel Thickness (XX)       |
|----------------|-----|--------------|-------------|----------------------------|
| 571-4134       | -01 | .590 (14,99) | .100 (2,54) | .031 (0,79) to .062 (1,59) |

| Component | Material       | Finish (YY) |                |
|-----------|----------------|-------------|----------------|
| Terminal  | Brass          | -01         | -05            |
| Insulator | Teflon - white | Silver      | Electro Solder |

| Additional Specifications   |      |
|-----------------------------|------|
| Flashover VRMS at Sea Level | 3500 |
| Capacitance (pF)            | 0.5  |

Teflon is a registered trademark of Dupont